



The CuSPED Mission: CubeSat for GNSS Sounding of the Ionosphere-Plasmasphere Electron Density

Jason N. Gross* , Amy M. Keesee[†] , John A. Christian* , Yu Gu* and Earl Scime[‡]
West Virginia University, Morgantown, WV, 26506, USA

Attila Komjathy[§]
California Institute of Technology Jet Propulsion Laboratory, Pasadena, CA, 91011, USA

E. Glenn Lightsey[¶]
Georgia Institute of Technology, Atlanta, GA, 30332, USA

Craig J. Pollock^{||}
NASA Goddard Space Flight Center, Greenbelt, MD, 20771, USA

The CubeSat for GNSS Sounding of Ionosphere-Plasmasphere Electron Density (CuSPED) is a 3U CubeSat mission concept that has been developed in response to the NASA Heliophysics program's decadal science goal of the determining of the dynamics and coupling of the Earth's magnetosphere, ionosphere, and atmosphere and their response to solar and terrestrial inputs. The mission was formulated through a collaboration between West Virginia University, Georgia Tech, NASA GSFC and NASA JPL, and features a 3U CubeSat that hosts both a miniaturized space capable Global Navigation Satellite System (GNSS) receiver for topside atmospheric sounding, along with a Thermal Electron Capped Hemispherical Spectrometer (TECHS) for the purpose of in situ electron precipitation measurements. These two complimentary measurement techniques will provide data for the purpose of constraining ionosphere-magnetosphere coupling models and will also enable studies of the local plasma environment and spacecraft charging; a phenomenon which is known to lead to significant errors in the measurement of low-energy, charged species from instruments aboard spacecraft traversing the ionosphere. The CUSPED mission has been proposed, and this paper provides an overview of the concept including its science motivation and implementation.

I. Introduction

Over the past decade, the CubeSat platform and its associated subsystems have evolved from use in purely educational endeavors to being capable of returning high-value science.¹ Furthermore, the use of GNSS sounding for the measurement of the Earth's ionosphere has led to fundamental discoveries of dynamics of the global ionospheric density.² The CuSPED mission will leverage both of these important developments to implement a low-cost mission that seeks to meaningfully contribute toward meeting the NASA Heliophysics Program decadal science goal³ of determining of the dynamics and coupling of the Earth's magnetosphere, ionosphere, and atmosphere and their response to solar and terrestrial inputs. In particular, a key parameter required for understanding and modeling the coupling of these three regions is the evolution of the plasma density in the ionosphere and lower magnetosphere in response to changing levels of geomagnetic activity. As

*Assistant Professor, Department of Mechanical and Aerospace Engineering, AIAA Senior Member

[†]Research Assistant Professor, Department of Physics and Astronomy

[‡]Oleg Jefimenko Professor, Department of Physics and Astronomy

[§]Senior Member Technical Staff, Ionospheric and Atmospheric Remote Sensing Group

[¶]Professor, Guggenheim School of Aerospace Engineering, AIAA Associate Fellow

^{||}Aerospace Technologist, Fields and Particles

such, CuSPED will leverage a miniature space-capable GNSS receiver and miniature plasma spectrometer, both of which have heritage from sounding rocket flights, to take important measurements of plasma density in the upper ionosphere and further enable the potential for multi-CubeSat constellations to address this goal.

II. Mission Science

A. Particle Precipitation Measurements and Spacecraft Charging

Low Earth orbit (LEO) missions are ideal for studies of particle populations in the auroral and cusp regions, if such populations can be accurately measured. The pitch angle distribution of low energy ions and electrons are particularly important for models of lower magnetosphere and ionosphere coupling. Such measurements can be combined with ground-based and high altitude measurements to study the interactions between the atmosphere, ionosphere, and magnetosphere. The energization of ionospheric ions during geomagnetic storms drives ion outflow. Oxygen ions with energy >10 eV are able to escape Earth's gravitational field, thus ion flow in the cusp region can be observed with energies of 10s of eV.^{4,5} The physics of ion outflow is still poorly understood and is a topic of active study. Distributed measurements of the low energy plasma populations throughout near-Earth space will provide important inputs to and constraints on theoretical models of the ion outflow process. A multi-platform CubeSat constellation is a cost-effective way that such distributed measurements could be collected.

However, accurate satellite-based plasma measurements are challenging for many reasons, one of which is the charging of the host spacecraft, which can distort measurements, damage instruments, or damage the entire spacecraft. There are various charging mechanisms: immersion in plasma with electron flux greater than ion flux will yield a negative spacecraft potential, while photoemission from solar UV radiation and secondary emission from auroral electron bombardment will yield a positive potential. The net spacecraft potential varies depending on location, the energies and composition of the particle fluxes impacting the spacecraft, the secondary emission properties of exposed spacecraft materials, and the degree of solar illumination.

Low energy ions and electrons become difficult to measure because spacecraft charging distorts the trajectories of these particles. At low enough energies, one charge species is completely repelled from the spacecraft while the other is accelerated to the spacecraft. Thus, it is often impossible to determine anything about the details of the low energy portion of one charge species' population. As noted above, low energy ions play an important role in magnetospheric dynamics by populating the plasma sheet via ion outflow, driving electromagnetic ion cyclotron (EMIC) waves in the magnetosphere, and affecting reconnection rates.^{6,7} Low energy electrons are important for understanding auroral excitation and the acceleration mechanism of ion outflow.^{8,9} In the ionosphere, very low energy electrons (<10 eV) also drive important chemical processes. The inability to measure low energy populations leaves a significant gap in our understanding of the space plasma environment.

Large satellite missions that can afford the onboard power resources utilize active control of the spacecraft potential by emitting heavy ions to counter photoemission and eliminate this blind spot in plasma measurement. CubeSat missions have less ability to actively control the spacecraft charging and must be able to account for it in their measurements. Other methods to measure low energy particles include placing the instrument on an electrically isolated boom outside of the spacecraft sheath or collecting the repelled particles via the motion of the spacecraft. While booms have been demonstrated on CubeSats, their deployment introduces an additional risk to achieving mission goals.

Scime et al.¹⁰ modeled the trajectory alteration imposed on low energy electrons measured by positively charged spacecraft in the solar wind. In the limit of a planar sheath in front of the instrument aperture, the positively charged spacecraft attracts the electrons and changes their initial trajectories. The focusing effect alters the solid angle viewed by the instrument, thus altering the geometric factor needed to convert instrument counts to the electron distribution function. The effective geometric factor is thus not constant, but dependent on the electron energy and local plasma density. Scime et al.¹¹ generalized their correction model for sheaths of arbitrary, but known, shapes and demonstrated effective measurement correction for low energy plasma measurements for the Ulysses and IMP spacecraft if the local plasma density were known through other measurements. By flying TECHS and a GNSS receiver together on CuSPED, a low-risk, low-power spacecraft charging calibration technique will be validated for use on CubeSats.

B. GNSS Atmospheric Sounding

Previous LEO satellite missions have demonstrated an electron density imaging capability within the spacecraft orbital plane by processing raw GNSS observables collected from an antenna that is pointing in the spacecraft zenith direction for a receiver that is also used as the primary navigation receiver^{12,13}. This technique, applied on the CHAMP spacecraft, was validated both by correlating electron density estimates with the measurements obtained in-situ by an on-board Langmuir probe¹² and more recently by comparing them with coincident measurements obtained by the IMAGE spacecraft.¹⁴ To achieve this capability, dual-frequency GPS carrier-phase observables were tracked by JPL's software defined 'BlackJack' receiver, precise orbit determination of the CHAMP spacecraft was used to calibrate the raw observables such that slant Total Electron Content (TEC) could be extracted, and upward looking TEC values were assimilated into an a priori ionosphere model based on ground based tracking stations.

By leveraging NASA software tools such as JPL's GIPSY-OAISIS and JPL/USC's Global Assimilative Ionospheric Model (GAIM)¹⁵ CuSPED's raw GNSS measurements will be processed to yield high-precision electron density profiles. GIPSY-OAISIS is a software library of precise orbit determination tools that includes many high-fidelity models for Earth orbiting spacecraft and features a state-of-the-art technique for fixing GPS carrier-phase biases.¹⁶ GIPSY-OAISIS has been used as NASA's primary precise orbit determination software for many LEO missions, including CHAMP,¹⁷ GRACE,¹⁸ and Jason-1,¹⁹ amongst others. Under this award, a CubeSat specific set of GIPSY model configurations will be designed and evaluated. GAIM is a physics-based 3D data assimilation model that uses both 4DVAR and Kalman filter techniques to solve for the ion and electron density states and key drivers such as equatorial electrodynamics, neutral winds, and production terms. GAIM can accept as input ground GPS TEC data from 1000+ sites, occultation links from CHAMP, SAC-C, and the COSMIC constellation, UV limb and nadir scans from the TIMED and DMSP satellites, and in situ data from a variety of satellites (e.g., DMSP and C/NOFS). CuSPED's GNSS instrument will obtain important data for understanding the dynamics and coupling of the atmosphere and will provide data for configuring NASA's existing GNSS processing software for CubeSat applications.

III. Mission Implementation

A. Concept of Operations and Architecture

The 3U CuSPED spacecraft will be built, functionally tested and environmentally tested at West Virginia University (WVU). To motivate discussion of the CuSPED flight system, instruments, ground software and telecommunications, the envisioned mission architecture and operations concept is depicted in Figure 1. The remaining technical approach subsections of the paper offer detailed descriptions about CuSPED's two instrument payloads, flight system, telecommunications subsystem, flight software architecture and integration test plans.

B. TECHS Plasma Spectrometer Payload

The Thermal Electron Capped Hemisphere Spectrometer (TECHS) is a miniature electrostatic analyzer designed specifically to measure the low-energy (0.3-100 eV) electron plasma distribution of Earth's ionosphere.⁸ The TECHS instrument consists of six major components:²⁰ a top hat electrostatic analyzer to provide energy analysis and particle arrival pitch angle information; a microchannel plate (MCP) stack to provide electron multiplication; a discrete anode imaging system allowing for simultaneous measurement of multiple pitch angle bins; an active aperture biasing system to mitigate repulsive spacecraft charging affects; and UV absorptive coatings to eliminate solar photon induced spurious events. The instrument sensor is approximately the size of a 35 mm film container (i.e. 50.8 mm tall and 32 mm diameter). The instrument has a cylindrically symmetric 360 azimuthal field of view. Only charged particles for which the electrostatic force balances the centripetal force will travel through the selection gap and be detected. Multiplication of the signal occurs in a 'Z-stack' microchannel plate electron multiplier which is then imaged by discrete anode detectors.

TECHS was originally flown on the Sounding of the Cleft ion Fountain Energization Region (SCIFER) sounding rocket in 1995.⁸ Analysis of the measured electron phase space density yielded increased electron temperatures in the cleft region associated with significant ion outflow. TECHS and TICHS instruments were also flown on the CAPER sounding rocket in 1999.²¹

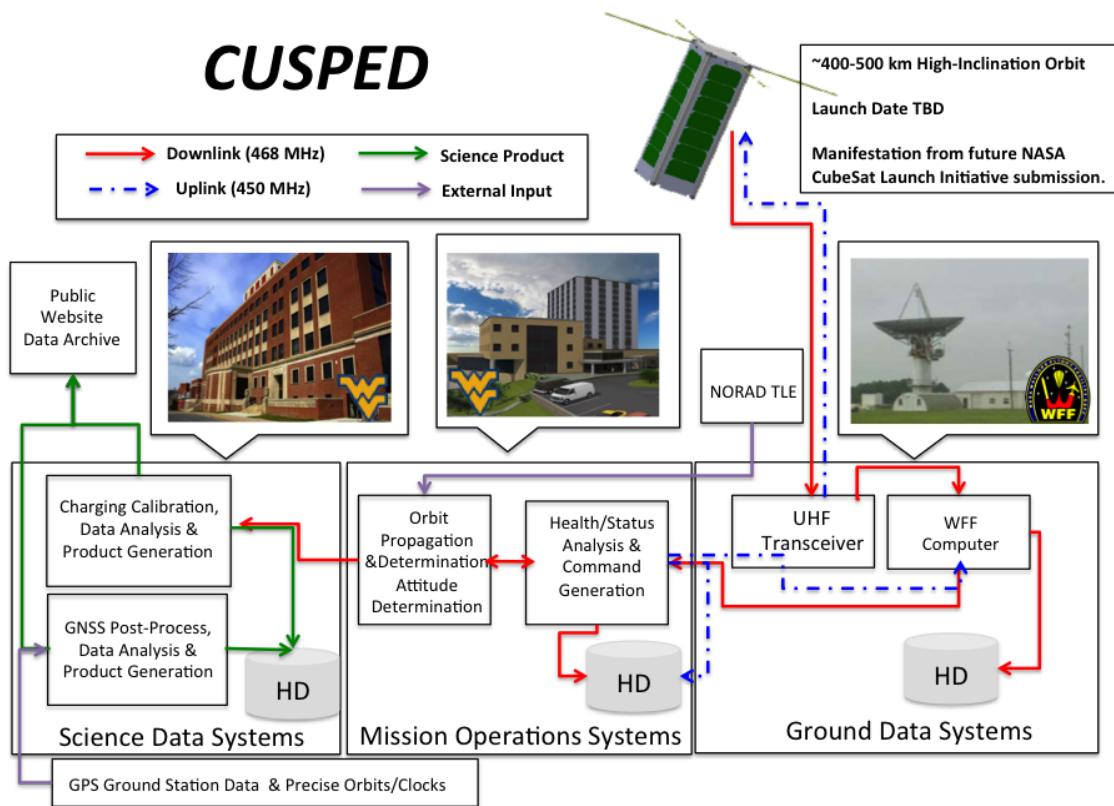


Figure 1. CuSPED's envisioned architecture and operations concept. A high-inclination LEO orbit will allow for passes through the auroral region. Command planning and engineering data analysis will be executed at WVU's engineering building. Telemetry will be handled through NASA's UHF antenna at WFF. Science products will be developed at WVU and archived on a public website.

C. FOTON GNSS Receiver Payload

Originally developed as a ground-based science-grade software receiver for monitoring ionospheric scintillation and total electron content (TEC), the Fast, On-Orbit TEC, Observables, Navigation (FOTON)²² (Figure 2) was designed to provide high-quality GNSS signal observations in space. The receiver hardware was miniaturized and the software has been adapted for LEO operations. FOTON now fits within a 0.5U CubeSat form factor (8.3 x 9.6 x 3.8 cm), weighs less than 400 g, and consumes 4.5 W of instantaneous power, which can be reduced to <1 W orbit average power with efficient on-off duty cycling. A 2012 sounding rocket flight demonstration and extensive testing performed within the past year demonstrates that FOTON is a robust, versatile, high-precision dual-frequency space receiver. Its low cost, size, weight, and power are key enablers for future small-satellite missions.

For CuSPED, a new release of the FOTON hardware will be developed to fit within a smaller PC-104 standard form factor for ease of installation on a CubeSat. Further, FOTON software will be modified to support mission requirements, and performance will be validated on a real-time GPS signal simulator at Georgia Tech. Georgia Tech will be responsible for modification, testing, and delivery of the flight unit FOTON GNSS receiver and will provide technical support during the integration and testing phase of the project. The WVU team will be responsible for the FOTON's integration and onboard real-time software interfacing within CUSPED.

D. GNSS Data Processing Software

CuSPED's GNSS data processing will leverage NASA's GNSS-Inferred Positioning System and Orbit Analysis Simulation Software (GIPSY-OASIS),²³ NASA JPL's Global Ionospheric Model (GIM), and JPL/USC's Global Assimilative Ionospheric Model (GAIM).¹⁵ First, CuSPED's precise orbit will be determined by



Figure 2. FOTON GNSS Receiver. FOTON will be miniaturized into the PC-104 form factor for integration on CuSPED.

employing GIPSY-OASIS using a dynamic model customized for CUSPED. Next, CUSPED's raw GPS phase-leveled line-of-sight TEC observables will be corrected for satellite and receiver differential delays and hardware biases using GIM. Finally, the resulting absolute slant GPS-derived TEC observables from CuSPED will be used as input to GAIM along with the TEC links from approximately 200 ground-based geodetic-precision GPS receivers (e.g. International GNSS Service sites). By assimilating both the ground-based and space-based CuSPED GPS data into GAIM, 3D electron densities with voxels up to 2000 km altitude will be recovered. Because ground-based GPS data cannot perform well in providing vertical resolution of electron density profiles, CuSPED GPS measurements will be critical in improving vertical resolution above the F2 peak layer. CuSPED's science products will include 2D and 3D electron densities for various geographic regions that can be validated using Jason-derived vertical TEC as well as incoherent backscatter radar measurements.

E. Telecommunications Architecture

As depicted in Figure 1, CuSPED's baseline telecommunications operations plan is to utilize NASA's Wallops Flight Facility (WFF) UHF antenna for 468 MHz downlink and 450 MHz uplink. This configuration has the advantages of: 1) proven heritage,²⁴ 2) high-throughput, and 3) WVU in-house experience through our participation in the on-going NASA IVV STF-1 CubeSat mission which is using the same set-up.

An L3 Cadet NanoSat transceiver (468 MHz downlink, 450 MHz uplink) with a deployable UHF dipole antenna will be included in the flight system design to communicate with WFF's 18.3-meter UHF ground antenna outfitted with a software defined radio. WVU will seek an NTIA transmission license for the 468 MHz band, a process that is expected to take around a year and has already successfully been granted for other CubeSats missions (i.e. DICE/DICE II, MicroMAS). 450 MHz is already designated for the purposes of Earth to space satellite teleoperation. Assuming a nominal design orbit of 72 degrees inclination and 500 km altitude, a link budget was derived using the Amateur SATellite (AMSAT)/ International Amateur Radio Union's annotated link budget tool and it indicates sufficient margins are achieved for the downlink and uplink assuming respective data rates of 1.5 Mbps and 38.4 kbps.

F. Flight System Architecture

With the exception of the TECHS and FOTON instruments, CuSPED's remaining flight system elements will be comprised of COTS CubeSat subsystems that have high flight-heritage to minimize risk. Figure 3 details CuSPED's overall system design in terms of selected subsystem elements, subsystem vendors, required interfaces (power and data protocols), as well as the breakdown of partner responsibilities on the mission.

Two custom printed circuit boards (PCB) will be developed at WVU to interface COTS subsystems with the flight computer, one PCB for the attitude determination sensors including a set of tri-axial Micro-Electro-Mechanical System (MEMS) inertial measurement units and magnetorquers, and one PCB for TECHS

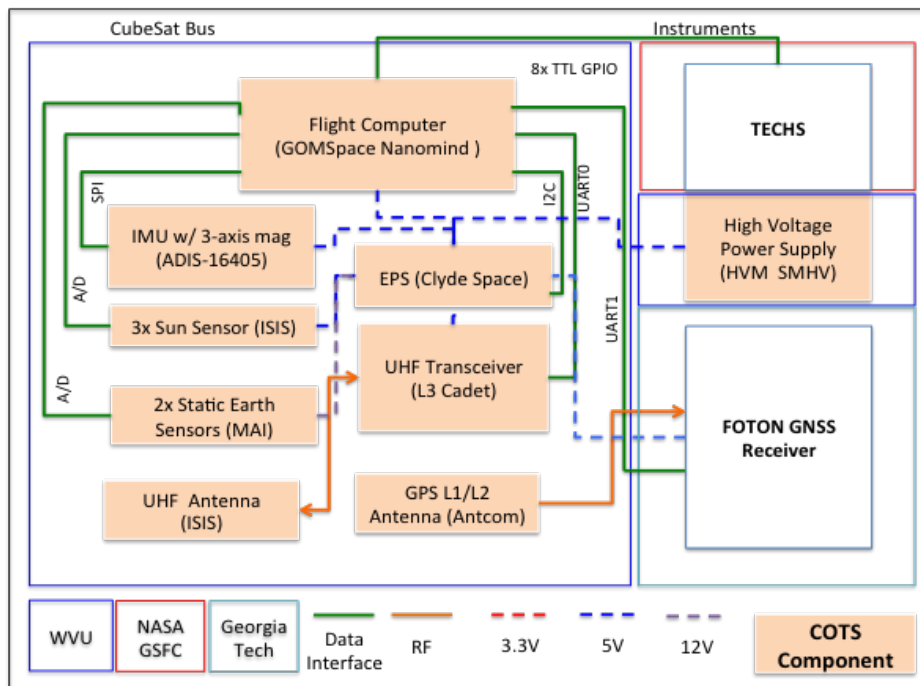


Figure 3. CuSPED's high-level system design, flight elements and required interfaces.

high-voltage power supply, which is a COTS component that has flight heritage from NSF/NASA Firefly Mission.

Table 1 highlights top-level flight system margins for key CubeSat system design parameters including Current Best Estimates (CBE) for mass, volume, and data capacity. The overall volume allocation has little uncertainty for the COTS subsystem components and the FOTON instrument, leaving ample margin for TECHS. The power needed during science collection is 6W (without duty cycling FOTON). The current best estimate plus contingency (30% for all non-COTS components) of the overall flight system mass is 3.74 kg, leaving 7% margin.

Table 1. Top-Level Design Margins

Parameter	Requirement	CBE	Margin
Mass	<4.00 kg	3.74 Kg	7%
Volume	3U	2.5U	16%
Downlink Link Margin	EbN0 9.5 dB	19.1 dB	50%
Downlink Throughput	56 MB/pass	90 MB/pass	37%

CuSPED's envisioned 3U volume configuration is depicted in Figure 4 with each component labeled. An Antcomm dual-frequency GNSS antenna will occupy a 1U face. Earth and Sun sensors will provide coarse attitude knowledge and magnetorquers that are embedded in the solar panels will be used to periodically orient the GPS antenna anti-Earthward. Approximate subsystem thermal properties will be added to the CAD model, should it be needed, active thermal management will be performed by duty cycling the on-board telemetry radio.

G. Flight Software

CuSPED's flight software will collect, store, and telemeter instrument data and schedule each CubeSat subsystem based on a set of operational modes designed by the WVU team. Figure 3 indicates each subsystem's communication protocol (UART, SPI, A/D, etc.) for which WVU will develop and test low-level software

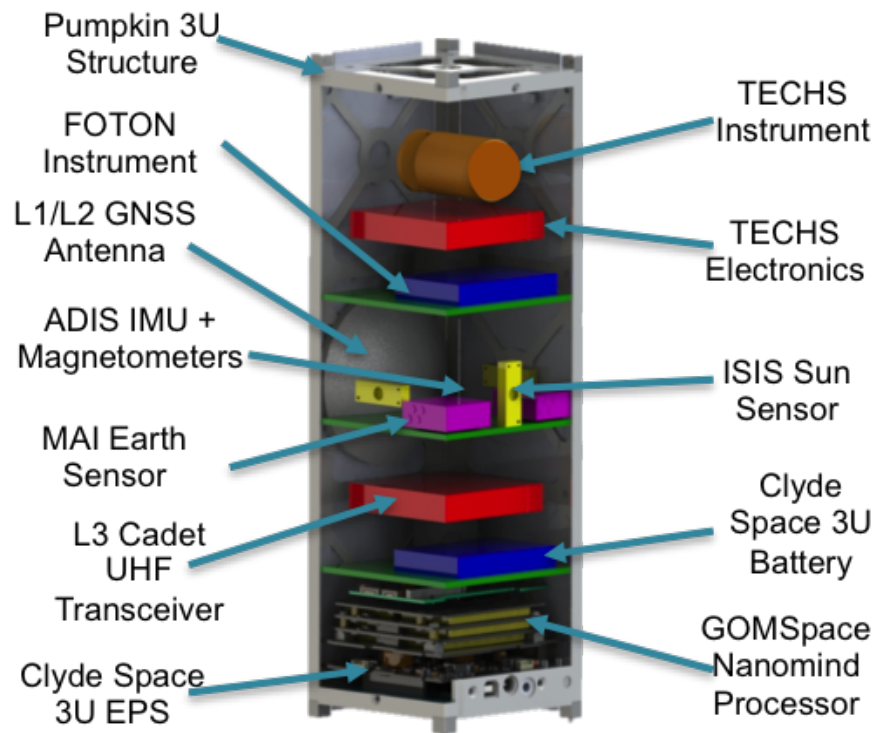


Figure 4. CuSPED's 3U Component Layout

applications for both the science instruments and the COTS subsystems (Electronic Power Supply, Inertial Sensors, etc.) to interface with the flight computer. To handle on-board operational scheduling and prioritization, CUSPED will leverage re-use from an on-going 3U CubeSat mission being led by NASA IVV that is named STF-1. A main objective of STF-1 is to develop a Core Flight Executive (CFE) Software Bus for Commands Data Handling on CubeSat missions. To leverage this software approach, CUSPED has selected the GOMSpace Nanomind Flight CPU, and L3 Cadet radio, which is being used for STF-1 as well as the GSFC Dellngr mission.

H. Assembly Integration and Test

During the first period of CuSPED's development phase, all flight system COTS components will be integrated in a 'flat-sat' configuration at WVU to allow for flight software development and debugging without need for mechanical interfaces. In parallel, the custom interface PCB's will be designed and assembled. The telemetry subsystem will be tested end-to-end during a site visit to NASA GSFC Wallops Flight Facility, and the removal of the FOTON's payload COCOM limits (i.e., velocity and altitude restrictions) will be verified during its testing on a GPS constellation simulator at Georgia Tech.

During and after fabrication at GSFC, the TECHS instrument will be tested and calibrated in the GSFC electron beam calibration facility. The GSFC electron beam calibration facility consists of two identical oil-free high vacuum chambers surrounded by an array of Helmholtz coils to mitigate the effects of the local geomagnetic field. Each chamber is equipped with a Kimball Physics Model electron source and an articulating instrument mount table with four degrees of freedom. After 18-months, the TECHS instrument will be delivered from NASA GSFC to WVU for additional testing in the WVU Space Simulation Chamber. The WVU Space Simulation Chamber consists of a 2 kW helicon plasma source²⁵ attached coaxially to a 4 m long, 2 m diameter aluminum vacuum chamber (Figure 5). The entire chamber is an oil free system suitable for the testing of space plasma instruments containing microchannel plates. For the purposes of testing the TECHS instrument, the plasma source will be operated at the lowest feasible neutral gas pressures to create plasma in the space simulation chamber with densities on the order of 10^8cm^{-3} . After testing in the WVU Space Simulation Chamber, the TECHS instrument and electronics will be mounted into CuSPED.

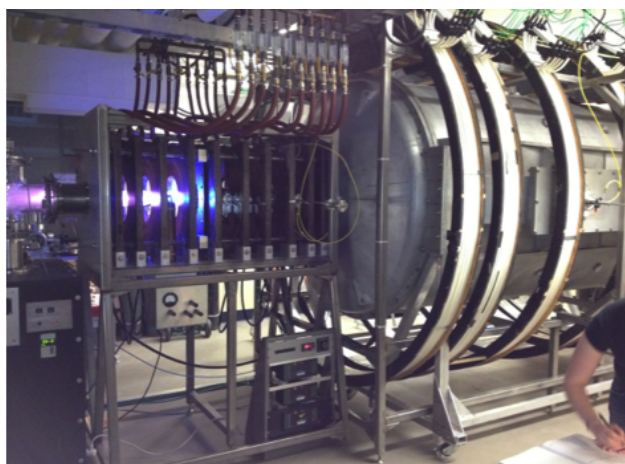


Figure 5. The WVU Space Plasma Simulation Chamber will be used for testing of the TECHS instrument.

I. Mission Operations

As depicted in the envisioned operations concept (Figure 1), once CuSPED's data has been telemetered to NASA WFF's ground station, it will be transferred to the engineering operations and science teams at WVU via the Internet. Engineering operations will consist of monitoring the number and status information that will be included in the telemetry and then subsequently determining the operational modes to send to CUSPED during the next uplink. GPS orbital data will be used to seed the prediction for the next data pass window, and NORAD TLEs will be used as a back up. Science operations will initially be split between the two instruments and will yield two independent products for comparison. The science data from the FOTON instrument will consist of raw dual-frequency GNSS pseudorange and carrier-phase measurements. From these data, the low-level science products derived will include the precise orbit estimates and ionospheric TEC estimates. These products will then feed into GAIM for the generation of electron density profiles, which will be constrained around CUSPED's orbital path by the data. The external data required for the GNSS science operations are GNSS precise orbit and clocks and ground station tracking data, both of which are made freely available by the International GNSS Service. The science data from the TECHS instrument will consist of particle precipitation counts. TECHS data will be combined with the precise orbit estimates to map the particle environment as a function of orbital position. This will enable the validation of charging calibration procedure detailed earlier. In addition, TECHS electron precipitation measurements will be directly comparable with the GNSS derived profiles, enabling cross-validation of the two approaches.

IV. Conclusion

This paper provided an overview including details of the mission design, in terms of its science motivation, operations concept, payload description, flight system architecture, telecommunications architecture and flight software for a space weather focused 3U CubeSat mission that has been proposed for implementation by West Virginia University in collaboration with Georgia Tech, NASA GSFC and NASA JPL. The CuSPED will fly TECHS, a small plasma spectrometer, alongside FOTON, a small space-capable GNSS receiver for the purpose of profiling the upper ionosphere's electron density along the spacecraft's trajectory. Further, by collocating these two instruments, CuSPED will provide unique data set for validating a spacecraft charging calibration approach that is applicable for use on other CubeSat platform's and mission concepts.

Acknowledgments

The authors wish to thank the West Virginia Space Grant Consortium for supporting the development of this mission concept. Part of the research was carried out at the Jet Propulsion Laboratory, California Institute of Technology, under a contract with NASA.

References

- ¹Daniel Selva and David Krejci. A survey and assessment of the capabilities of cubesats for earth observation. *Acta Astronautica*, 74:50–68, 2012.
- ²National Research Council. *Solar and Space Physics: A Science for a Technological Society*. The National Academies Press, 2013.
- ³NASA. 2014 science plan. http://science.nasa.gov/media/medialibrary/2014/05/02/2014_Science_Plan-0501_tagged.pdf, 2014. Accessed: December 29, 2014.
- ⁴CJ Pollock, MO Chandler, TE Moore, JH Waite, CR Chappell, and DA Gurnett. A survey of upwelling ion event characteristics. *Journal of Geophysical Research: Space Physics (1978–2012)*, 95(A11):18969–18980, 1990.
- ⁵SA Fuselier, AG Ghielmetti, TE Moore, MR Collier, JM Quinn, GR Wilson, P Wurz, SB Mende, HU Frey, Claude Jamar, et al. Ion outflow observed by image: Implications for source regions and heating mechanisms. *Geophysical Research Letters*, 28(6):1163–1166, 2001.
- ⁶S Haaland, Anders Eriksson, E Engwall, B Lybekk, H Nilsson, A Pedersen, K Svenes, Mats André, M Förster, K Li, et al. Estimating the capture and loss of cold plasma from ionospheric outflow. *Journal of Geophysical Research: Space Physics (1978–2012)*, 117(A7), 2012.
- ⁷Justin H Lee and Vassilis Angelopoulos. Observations and modeling of emic wave properties in the presence of multiple ion species as function of magnetic local time. *Journal of Geophysical Research: Space Physics*, 119(11):8942–8970, 2014.
- ⁸CJ Pollock, VN Coffey, JD England, NG Martinez, TE Moore, and ML Adrian. Thermal electron capped hemisphere spectrometer (techs) for ionospheric studies. *Measurement Techniques in Space Plasmas: Particles*, pages 201–207, 1998.
- ⁹Sam Tuttle. Calculating the auroral electron energy. *Astronomy & Geophysics*, 55(4):4–17, 2014.
- ¹⁰Earl E Scime, John L Phillips, and Samuel J Bame. Effects of spacecraft potential on three-dimensional electron measurements in the solar wind. *Journal of Geophysical Research: Space Physics (1978–2012)*, 99(A8):14769–14776, 1994.
- ¹¹Earl E Scime. How to really measure low energy electrons in space. *GEOPHYSICAL MONOGRAPH-AMERICAN GEOPHYSICAL UNION*, 103:229–234, 1998.
- ¹²S Heise, N Jakowski, A Wehrenpfennig, Ch Reigber, and H Lühr. Sounding of the topside ionosphere/plasmasphere based on gps measurements from champ: Initial results. *Geophysical Research Letters*, 29(14):44–1, 2002.
- ¹³N Jakowski, V Wilken, and C Mayer. Space weather monitoring by gps measurements on board champ. *Space Weather*, 5(8), 2007.
- ¹⁴T Gerzen, J Feltens, N Jakowski, I Galkin, R Denton, B Reinisch, and R Zandbergen. Validation of plasmasphere electron density reconstructions derived from data on board champ by image/rpi data. *Advances in Space Research*, 55(1):170–183, 2015.
- ¹⁵Attila Komjathy, Brian Wilson, Xiaoqing Pi, Vardan Akopian, Miguel Dumett, Byron Iijima, Olga Verkhoglyadova, and Anthony J Mannucci. Jpl/usc gain: On the impact of using cosmic and ground-based gps measurements to estimate ionospheric parameters. *Journal of Geophysical Research: Space Physics (1978–2012)*, 115(A2), 2010.
- ¹⁶Willy Bertiger, Shailen D Desai, Bruce Haines, Nate Harvey, Angelyn W Moore, Susan Owen, and Jan P Weiss. Single receiver phase ambiguity resolution with gps data. *Journal of Geodesy*, 84(5):327–337, 2010.
- ¹⁷Da Kuang, Yoaz Bar-Sever, Willy Bertiger, Shailen Desai, Bruce Haines, Byron Iijima, Gerhard Kruizinga, Thomas Meehan, and Larry Romans. Precise orbit determination for champ using gps data from blackjack receiver. In *2001 ION National Technical Meeting Proceedings*. Session E1: Scientific Applications, Timing, and Frequency Long Beach, California, 2001.
- ¹⁸W Bertiger, Y Bar-Sever, S Desai, C Dunn, B Haines, G Kruizinga, D Kuang, S Nandi, L Romans, M Watkins, et al. Grace: millimeters and microns in orbit. In *Proceedings of the 15th International Technical Meeting of the Satellite Division of The Institute of Navigation (ION GPS 2002)*, pages 2022–2029, 2001.
- ¹⁹Bruce Haines, Yoaz Bar-Sever, Willy Bertiger, Shailen Desai, and Pascal Willis. One-centimeter orbit determination for jason-1: new gps-based strategies. *Marine Geodesy*, 27(1-2):299–318, 2004.
- ²⁰CW Carlson, DW Curtis, G Paschmann, and W Michel. An instrument for rapidly measuring plasma distribution functions with high resolution. *Advances in Space Research*, 2(7):67–70, 1982.
- ²¹Charles S Deehr. A co-investigator project for the cornell university cleft accelerated plasma experimental rocket-caper. 1999.
- ²²E Glenn Lightsey, Todd E Humphreys, Jahshan A Bhatti, Andrew J Joplin, Brady W O’Hanlon, and Steven P Powell. Demonstration of a space capable miniature dual frequency gnss receiver. *Navigation*, 61(1):53–64, 2014.
- ²³NASA JPL. Gnss-inferred positioning system and orbit analysis simulation software.
- ²⁴Scott Schaire, Serhat Altunc, and Benjamin Malphrus. Cubesat communication direction and capabilities at morehead state university and nasa goddard space flight center, wallops flight facility. 2013.
- ²⁵EE Scime, PA Keiter, MM Balkey, JL Kline, X Sun, AM Keesee, RA Hardin, IA Biloiu, S Houshmandyar, S Chakraborty Thakur, et al. The hot helicon experiment (helix) and the large experiment on instabilities and anisotropy (leia).